

HVAC CONTROL PRODUCTS Valves

Terminal Unit Valves

VG6000

DN15...25, PN16

These valves are primarily designed to regulate the flow of water in response to the demand of a controller in zone and terminal unit applications.

Following actuators are available:

VA-7070 ON/OFF thermal;

VA-709x thermal 0...10 VDC;

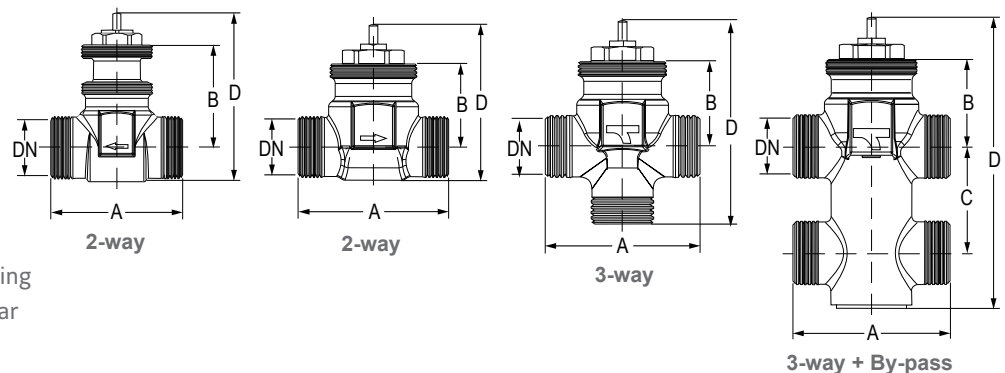
VA-748x floating and proportional electric.



Features

- Forged brass body
- K_{Vs} 0.4...4.5
- 2-way PDTC (normally open), 3-way mixing and diverting, 3-way mixing and diverting with built-in bypass configurations
- Fluid temperature 2...110 °C
- BSPP threaded body connection
- Inherent flow characteristic: quick opening
- High close off pressure model up to 5 bar

High Close off Pressure Model



Dimensions in mm

Ordering Codes	Body Size	Dimensions in mm		
		A	B	D
2-way PDTC Configuration				
VG6210BC	DN15	52	29	51
VG6210CC				
VG6210DC				
VG6210EC				
VG6210JC	DN20	56	28	56
VG6210KC				69
VG6210LC	DN25	82	30.5	77.5
3-way Mixing and Diverting Configuration				
VG6310BC	DN15	52	44.7	70
VG6310CC				
VG6310DC				
VG6310EC				
VG6310JC	DN20	56	43.7	72
VG6310LC	DN25	82	46.2	78

Ordering Codes	Body Size	Dimensions in mm			
		A	B	C	D
3-way Mixing and Diverting with built-in by-pass					
VG6510BC	DN15	52	29	---	102.5
VG6510CC					
VG6510DC					
VG6510EC					
VG6510JC	DN20	56	28	---	104.5
VG6510KC					114.5
VG6510LC	DN25	82	38	---	142
3-way Mixing and Diverting Configuration					
VG6810BC	DN15	52	29	13.5	68.5
VG6810CC					
VG6810DC					
VG6810EC					
VG6810JC	DN20	56	28	13.5	69.5
VG6810KC					86
VG6810LC	DN25	82	30.5	13.5	92.5

HVAC CONTROL PRODUCTS Valves

Terminal Unit Valves VG6000

Ordering Codes	Body Size	Connection Size	Kvs (Control port)	Kvs (By-pass port)	Close-off pressure (kPa)
2-way PDTC Configuration					
VG6210BC	DN15	1/2"	0.4	---	250
VG6210CC			0.63		
VG6210DC			1.0		
VG6210EC			1.7		
VG6210JC	DN20	3/4"	2.6		150
VG6210KC			4.0		
VG6210LC	DN25	1"	4.5		70
2-way PDTC Configuration					
VG6310BC	DN15	1/2"	0.4	---	500
VG6310CC			0.63		
VG6310DC			1.0		
VG6310EC			1.7		
VG6310JC	DN20	3/4"	2.6		150
VG6310LC	DN25	1"	4.5		
3-way Mixing and Diverting with built-in by-pass					
VG6510BC	DN15	1/2"	0.4	0.35	200
VG6510CC			0.63	0.56	
VG6510DC			1.0	0.86	
VG6510EC			1.7	1.2	
VG6510JC	DN20	3/4"	2.5	1.6	100
VG6510KC			4.0	1.7	
VG6510LC	DN25	1"	4.5	3.1	70
3-way Mixing and Diverting Configuration					
VG6810BC	DN15	1/2"	0.4	0.35	200
VG6810CC			0.63	0.56	
VG6810DC			1.0	0.86	
VG6810EC			1.7	1.2	
VG6810JC	DN20	3/4"	2.5	1.6	100
VG6810KC			4.0	1.7	
VG6810LC	DN25	1"	4.5	3.1	70